

# Versa-Dimmer™

## AC AND DC LIGHTING CONTROLLER

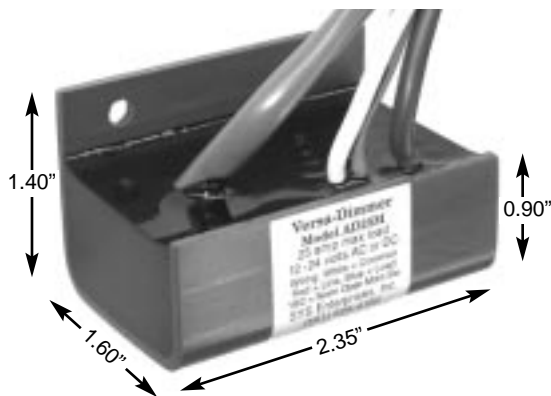
### Versatile, Compact and Powerful

- Works with AC (transformer) and DC (battery) power
- 12 or 24 volt operation
- Remembers and returns to previous setting in the event of a power loss
- Up to 25 amp cool operating capacity
- Push button or twist knob control

Designed with flexibility in mind. You'll find our product unique in its ability to operate on 12 or 24 volt AC and DC power. It can be supplied to operate with any customer supplied remote mounted push button momentary switch or our attached rotary knob control. Our Versa-Dimmer™ is compact, powerful and far exceeds anything else on the market!

### Operating the Versa-Dimmer™ is Quick and Easy

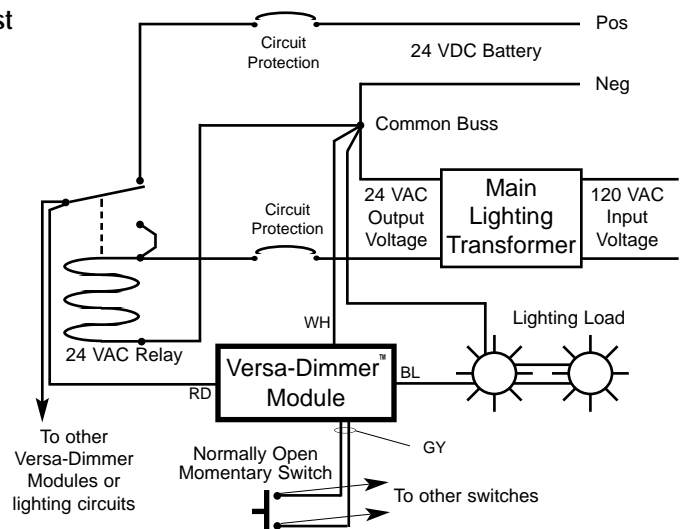
One quick push of the push button will instantly turn your lights on or off. Holding the button depressed will increase or decrease the intensity. If you prefer the twist knob, set the desired intensity by rotating the positive off control.



### Saves Time and Money

- One push instant-on/off control
- Extends halogen bulb life by ramping output slowly and reducing maximum output on DC power
- No need for a separate DC backup lighting system
- Simple, direct-to-load wiring

### Wiring for automatic DC back-up power for low voltage AC lighting system



### Models Available

	<u>Model #</u>	<u>Maximum Load</u>		<u>Model #</u>	<u>Maximum Load</u>
AC and DC Momentary Switch Operation	AD-10-M	10 amperes	DC Only Momentary Switch Operation	D-10-M	10 amperes
	AD-15-M	15 amperes		D-15-M	15 amperes
	AD-25-M	25 amperes		D-25-M	25 amperes
AC and DC Potentiometer Operation	AD-10-P	10 amperes	DC Only Potentiometer Operation	D-10-P	10 amperes
	AD-15-P	15 amperes		D-15-P	15 amperes
	AD-25-P	25 amperes		D-25-P	25 amperes

**Exclusively Distributed by:**